



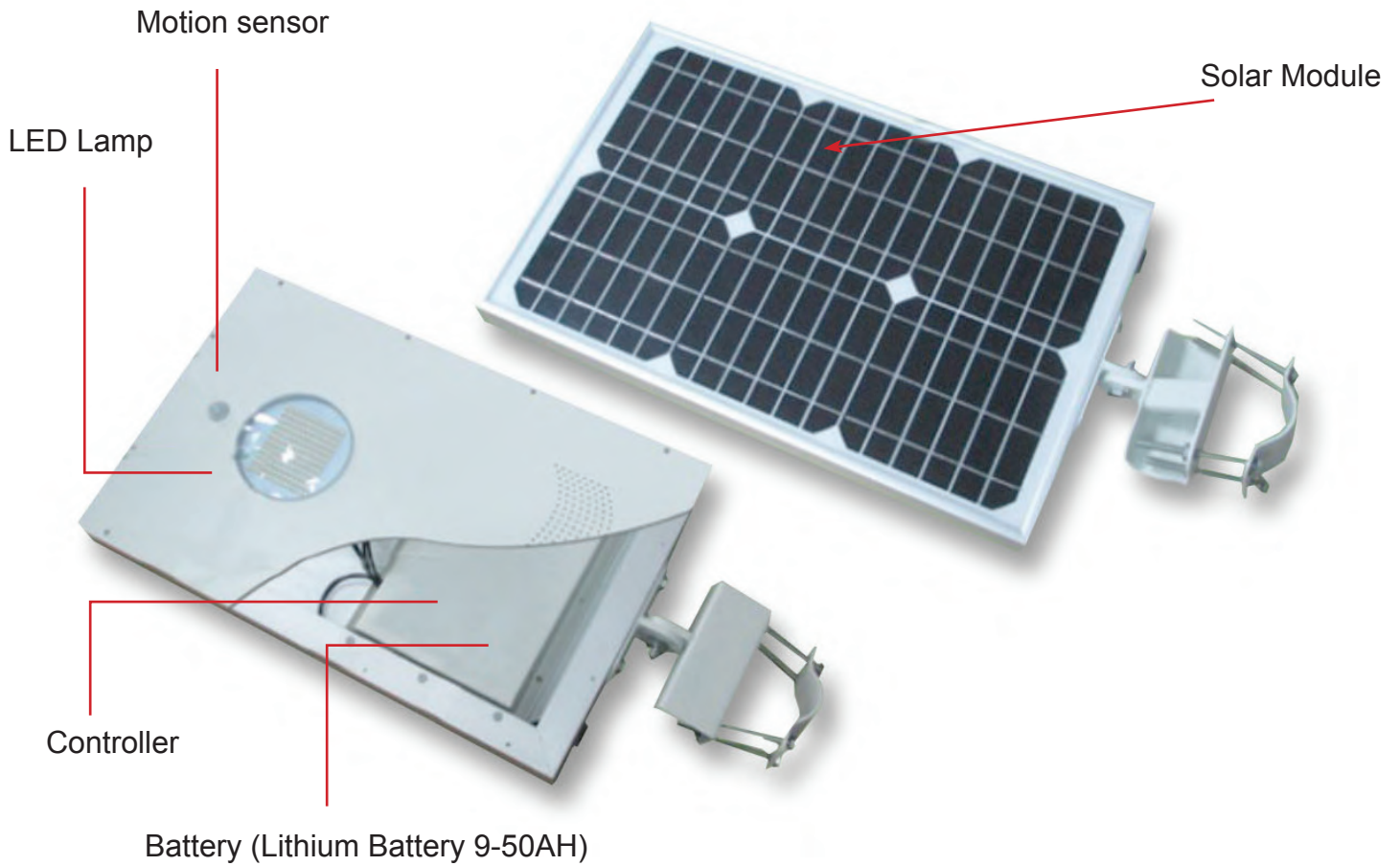
Integrated Solar LED Street Lights

The design of solar street light / courtyard light absorbs energy from the universe, and combines with high efficiency solar panel, LEDs, and Lithium battery. It adopts advantage technics such as micro-controller, human infrared sensor and so on and combines with integrated design to achieve multiple features such as low power consumption but high brightness (35W average equals to 300W incandescent light), long lifespan and maintenance free, meanwhile with waterproof function and great thermal dissipation. It is one of our great innovation patented products.

Features and Benefits

- Patent pending integrated design.
- Solar powered outdoor lighting
- Easy installation. No cable needed.
- Using lithium battery to prolong product life and protect environment.
- Light output can be adjusted automatically by a built-in infrared sensor.
- Modularity design. Easy assemble and maintenance.
- Compact volume and light weight design saves freight cost and installation cost
- Rust-proof, dustproof and waterproof.
- Safety and reliability.
- Two years warranty.
- Operating temperature: -35-65°C
- Storage temperature: -40-75°C

- Structure



- Advantage of All-In-One Design



Longer
Lifespan

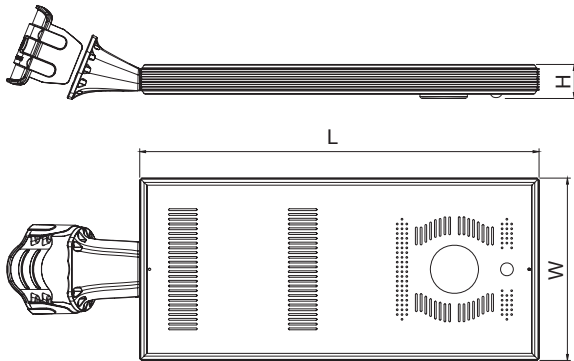


Easy to
Install / Maintain



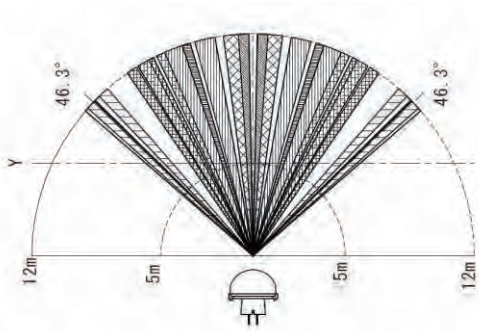
Lower
Shipping Cost

● Dimensions

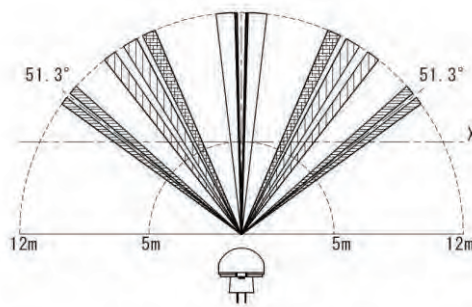


Model No.	Dimension (mm)		
	L	W	H
ENSL-2008-05	480	440	50
ENSL-2512-05	480	440	50
ENSL-3015-05	600	440	50
ENSL-5018-05	1050	360	50
ENSL-6520-05	1280	360	50
ENSL-6525-05	1280	360	50
ENSL-7030-05	1280	360	50
ENSL-7040-05	1280	360	50
ENSL-8650-05	1280	460	50
ENSL-8660-05	1280	460	50
ENSL-9070-05	1280	460	50

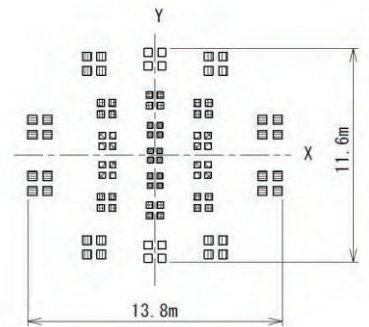
● PIR Detection Area



Vertical

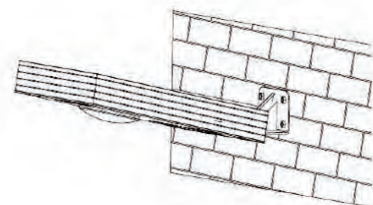
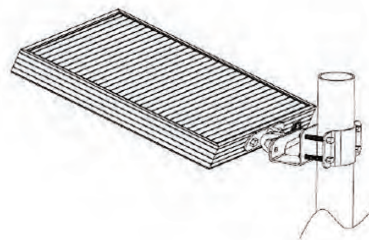
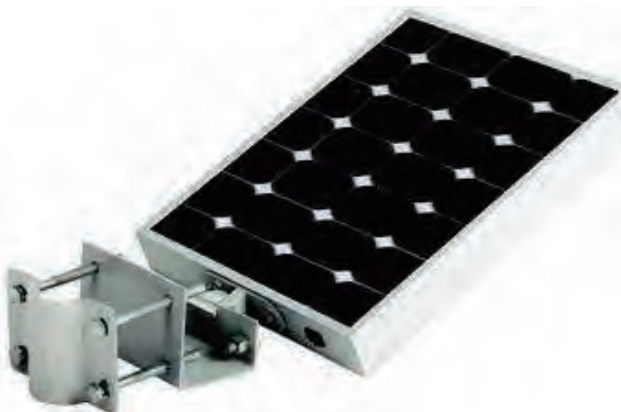


Horizontal



X-Y Cross Section (range 5m)

● Installation



● Data

Model No.	ENSL-2008-05	ENSL-2512-05	ENSL-3015-05	ENSL-5018-05	ENSL-6520-05	ENSL-6525-05	ENSL-7030-05	ENSL-7040-05	ENSL-8650-05	ENSL-8660-05	ENSL-9070-05
Solar Module (W)	20	25	30	50	65	65	70	70	86	86	90
LED Power (W)	8	12	15	18	20	25	30	40	50	60	70
Lumen (lm)	950	1280	1580	1900	2200	2600	3200	4200	5200	6300	7300
Lithium Battery	9AH	10AH	13AH	17AH	26AH	26AH	30AH	35AH	40AH	45AH	50AH
Working Time (Hours)	40-50										
Recommended Installation Height (m)	2-3.5	3-4	4-5	5-6	5-6	6-7	7-7.5	7-8	7-9	8-11	9-12
Beam Angle	120°										
Color	5000-6000K										
IP Rating	IP65										
PIR Sensor	Available										
Photocell Controller	Available										
Timer Controller	Available										
Packing Dimension (mm)	1PC 550×450× 150	1PC 550×450× 150	1PC 680×450× 150	1PC 1100×400× 220	1PC 1300×400× 220	1PC 1300×400× 220	1PC 1300×400× 220	1PC 1300×400× 220	1PC 1300×500× 220	1PC 1300×500× 220	1PC 1300×500× 220
NW/GW (Kg)	1PC 6.0/7.0	1PC 6.0/7.0	1PC 8.0/9.0	1PC 15.0/16.0	1PC 17.0/19.0	1PC 17.0/19.0	1PC 18.0/20.0	1PC 18.0/20.0	1PC 20.0/23.0	1PC 20.0/23.0	1PC 21.0/24.0