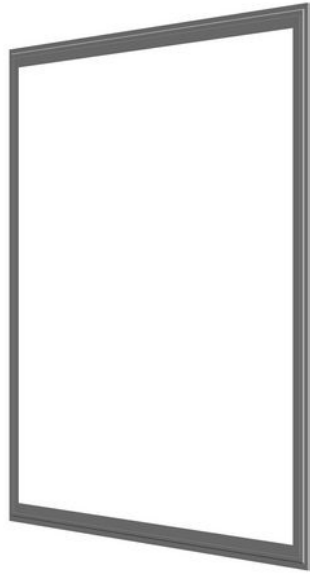


# ENELTEC<sup>®</sup>

brighten your ideas

## Ultra Slim LED Panels



**FOREPI**

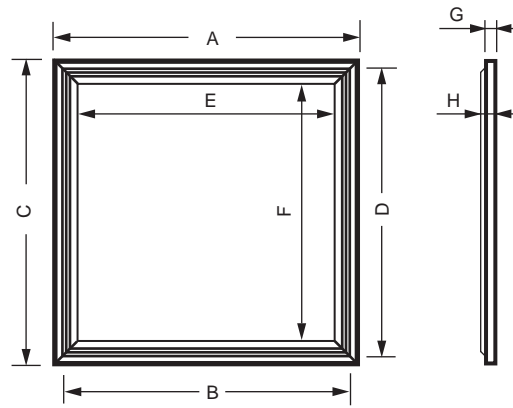


### Specifications:

- Color: 3000K / 4000K / 5000K / 6000K / RGB
- Beam Angle: 120°
- Voltage: 100-240VAC, 90-130VAC/170-265VAC, 24VDC
- Operating temperature: -35 to + 50°C
- Material: Aluminium Alloy Fixture + PMMA Light Guide Panel
- Light Degradation: < 5% in 20,000 hours
- Warranty: 3 years

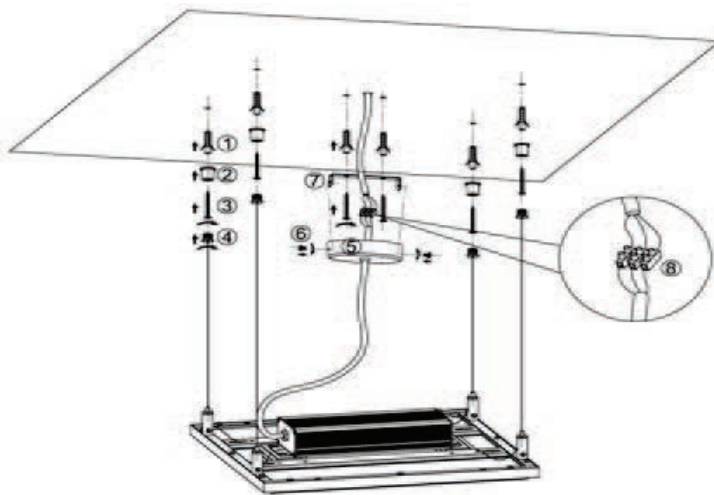


## Dimensions:

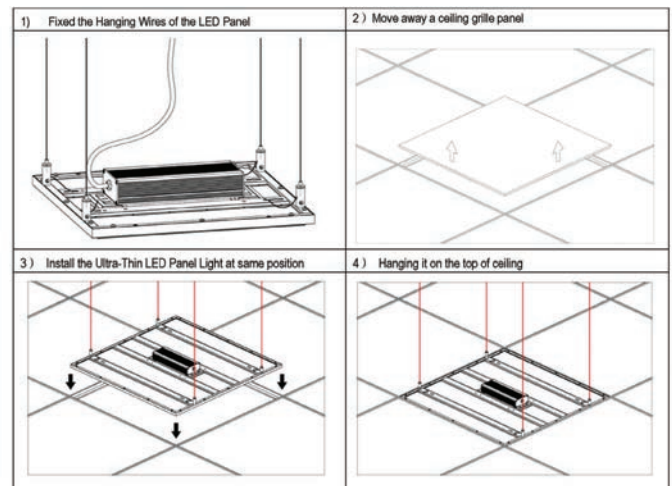


Model	Dimension (mm)							
	A	B	C	D	E	F	G	H
ENPL-2020-01	195.0	182.2	195.0	182.2	150.0	150.0	8.0	9.0
ENPL-3030-01	295.0	282.2	295.0	282.2	250.0	250.0	8.0	9.0
ENPL-3060-01	595.0	582.2	295.0	282.2	550.0	250.0	8.0	9.0
ENPL-6060-01	595.0	582.2	595.0	582.2	550.0	550.0	8.0	9.0
ENPL-6262-01	615.0	602.2	615.0	602.2	570.0	570.0	8.0	9.0
ENPL-20120-01	1195.0	1182.2	195.0	182.2	1150.0	150.0	8.0	9.0
ENPL-30120-01	1195.0	1182.2	295.0	282.2	1150.0	250.0	8.0	9.0
ENPL-60120-01	1195.0	1182.2	595.0	582.2	1150.0	550.0	8.0	9.0

## Installation Methods:



Hanging Installation



Recessed Installation

## Packing:

No.	Model	Quantity	Packing Dimension (mm)	Net Weight /Gross Weight (Kgs)
1	ENPL-2020-01	20PCS	423x258x410	14.4/16.0
2	ENPL-3030-01	10PCS	377x333x350	11.7/13.0
3	ENPL-3060-01	10PCS	690x340x390	20.7/23.0
4	ENPL-6060-01	5PCS	685x635x200	19.8/22.0
5	ENPL-6262-01	5PCS	745x690x220	21.2/23.5
6	ENPL-20120-01	5PCS	1280x240x200	14.4/16.0
7	ENPL-30120-01	5PCS	1290x340x200	24.1/26.8
8	ENPL-60120-01	3PCS	1300x650x150	29.7/33.0

# Testing Data:

No.	Model No.	Input Voltage	Power (W)	Lumen (Lm)	PF	Chips	LED	Power Supply	Beam Angle	Color	CRI	IP Rating
1	ENPL-2020-12W-01	100-240VAC	12	744	>0.9	Sanan	60PCS SMD 4014	CE Driver	120°	3000K/4000K/5000K/6000K	>80	IP44
2	ENPL-2020-12W-01D	90-130VAC/170-265VAC	12	780 0-10V Dimmable	>0.9	Sanan	60PCS SMD 4014	CE Driver	120°		>80	IP44
3	ENPL-3030-12W-01	100-240VAC	12	804	>0.9	Sanan	60PCS SMD 4014	CE Driver	120°	3000K/4000K/5000K/6000K	>80	IP44
4	ENPL-3030-12W-01D	90-130VAC/170-265VAC	12	840 0-10V Dimmable	>0.9	Sanan	60PCS SMD 4014	CE Driver	120°		>80	IP44
5	ENPL-3030-18W-01	100-240VAC	18	1242	>0.9	Sanan	90PCS SMD 4014	CE Driver	120°		>80	IP44
6	ENPL-3030-18W-01MW	100-240VAC	18	1242	>0.9	Sanan	90PCS SMD 4014	MEANWELL	120°		>80	IP44
7	ENPL-3030-18W-01D	90-130VAC/170-265VAC	18	1314 0-10V Dimmable	>0.9	Sanan	90PCS SMD 4014	CE Driver	120°		>80	IP44
8	ENPL-3030-24W-01	100-240VAC	24	1704	>0.9	Sanan	120PCS SMD 4014	CE Driver	120°		>80	IP44
9	ENPL-3030-24W-01MW	100-240VAC	24	1704	>0.9	Sanan	120PCS SMD 4014	MEANWELL	120°		>80	IP44
10	ENPL-3030-24W-01D	90-130VAC/170-265VAC	24	1800 0-10V Dimmable	>0.9	Sanan	120PCS SMD 4014	CE Driver	120°		>80	IP44
11	ENPL-3030-8W-01RGB	24VDC	8			FOREPI	42PCS SMD 5050		120°		>80	IP44
12	ENPL-3060-18W-01	100-240VAC	18	1278	>0.9	Sanan	90PCS SMD 4014	CE Driver	120°		3000K/4000K/5000K/6000K	>80
13	ENPL-3060-18W-01MW	100-240VAC	18	1278	>0.9	Sanan	90PCS SMD 4014	MEANWELL	120°	>80		IP44
14	ENPL-3060-18W-01D	90-130VAC/170-265VAC	18	1350 0-10V Dimmable	>0.9	Sanan	90PCS SMD 4014	CE Driver	120°	>80		IP44
15	ENPL-3060-24W-01	100-240VAC	24	1704	>0.9	Sanan	120PCS SMD 4014	CE Driver	120°	>80		IP44
16	ENPL-3060-24W-01MW	100-240VAC	24	1704	>0.9	Sanan	120PCS SMD 4014	MEANWELL	120°	>80		IP44
17	ENPL-3060-24W-01D	90-130VAC/170-265VAC	24	1800 0-10V Dimmable	>0.9	Sanan	120PCS SMD 4014	CE Driver	120°	>80		IP44
18	ENPL-3060-30W-01	100-240VAC	30	2190	>0.9	Sanan	150PCS SMD 4014	CE Driver	120°	>80		IP44
19	ENPL-3060-30W-01MW	100-240VAC	30	2190	>0.9	Sanan	150PCS SMD 4014	MEANWELL	120°	>80		IP44
20	ENPL-3060-30W-01D	90-130VAC/170-265VAC	30	1800 0-10V Dimmable	>0.9	Sanan	150PCS SMD 4014	CE Driver	120°	>80		IP44
21	ENPL-3060-16W-01RGB	24VDC	16			FOREPI	84PCS SMD 5050		120°	>80		IP44
22	ENPL-6060-24W-01	100-240VAC	24	1824	>0.9	Sanan	120PCS SMD 4014	CE Driver	120°	3000K/4000K/5000K/6000K	>80	IP44
23	ENPL-6060-24W-01MW	100-240VAC	24	1824	>0.9	Sanan	120PCS SMD 4014	MEANWELL	120°		>80	IP44
24	ENPL-6060-24W-01D	90-130VAC/170-265VAC	24	1920 0-10V Dimmable	>0.9	Sanan	120PCS SMD 4014	CE Driver	120°		>80	IP44
25	ENPL-6060-30W-01	100-240VAC	30	2340	>0.9	Sanan	150PCS SMD 4014	CE Driver	120°		>80	IP44
26	ENPL-6060-30W-01MW	100-240VAC	30	2340	>0.9	Sanan	150PCS SMD 4014	MEANWELL	120°		>80	IP44
27	ENPL-6060-30W-01D	90-130VAC/170-265VAC	30	2460 0-10V Dimmable	>0.9	Sanan	150PCS SMD 4014	CE Driver	120°		>80	IP44
28	ENPL-6060-36W-01	100-240VAC	36	2880	>0.9	Sanan	180PCS SMD 4014	CE Driver	120°		>80	IP44
29	ENPL-6060-36W-01MW	100-240VAC	36	2880	>0.9	Sanan	180PCS SMD 4014	MEANWELL	120°		>80	IP44
30	ENPL-6060-36W-01D	90-130VAC/170-265VAC	36	3024 0-10V Dimmable	>0.9	Sanan	180PCS SMD 4014	CE Driver	120°		>80	IP44
31	ENPL-6060-48W-01	100-240VAC	48	3888	>0.9	Sanan	240PCS SMD 4014	CE Driver	120°		3000K/4000K/5000K/6000K	>80
32	ENPL-6060-48W-01MW	100-240VAC	48	3888	>0.9	Sanan	240PCS SMD 4014	MEANWELL	120°	>80		IP44
33	ENPL-6060-48W-01D	90-130VAC/170-265VAC	48	4080 0-10V Dimmable	>0.9	Sanan	240PCS SMD 4014	CE Driver	120°	>80		IP44
34	ENPL-6060-60W-01	100-240VAC	60	4860	>0.9	Sanan	300PCS SMD 4014	CE Driver	120°	>80		IP44
35	ENPL-6060-60W-01MW	100-240VAC	60	4860	>0.9	Sanan	300PCS SMD 4014	MEANWELL	120°	>80		IP44
36	ENPL-6060-60W-01D	90-130VAC/170-265VAC	60	5100 0-10V Dimmable	>0.9	Sanan	300PCS SMD 4014	CE Driver	120°	>80		IP44
37	ENPL-6060-32W-01RGB	24VDC	32			FOREPI	168PCS SMD 5050		120°	>80		IP44

# Testing Data:

No.	Model No.	Input Voltage	Power (W)	Lumen (Lm)	PF	Chips	LED	Power Supply	Beam Angle	Color	CRI	IP Rating
38	ENPL-6262-36W-01	100-240VAC	36	2880	>0.9	Sanan	180PCS SMD 4014	CE Driver	120°	3000K/ 4000K/ 5000K/ 6000K	>80	IP44
39	ENPL-6262-36W-01MW	100-240VAC	36	2880	>0.9	Sanan	180PCS SMD 4014	MEANWELL	120°		>80	IP44
40	ENPL-6262-36W-01D	90-130VAC/ 170-265VAC	36	3024 0-10V Dimmable	>0.9	Sanan	180PCS SMD 4014	CE Driver	120°		>80	IP44
41	ENPL-6262-48W-01	100-240VAC	48	3888	>0.9	Sanan	240PCS SMD 4014	CE Driver	120°		>80	IP44
42	ENPL-6262-48W-01MW	100-240VAC	48	3888	>0.9	Sanan	240PCS SMD 4014	MEANWELL	120°		>80	IP44
43	ENPL-6262-48W-01D	90-130VAC/ 170-265VAC	48	4080 0-10V Dimmable	>0.9	Sanan	240PCS SMD 4014	CE Driver	120°		>80	IP44
44	ENPL-6262-60W-01	100-240VAC	60	4860	>0.9	Sanan	300PCS SMD 4014	CE Driver	120°		>80	IP44
45	ENPL-6262-60W-01MW	100-240VAC	60	4860	>0.9	Sanan	300PCS SMD 4014	MEANWELL	120°		>80	IP44
46	ENPL-6262-60W-01D	90-130VAC/ 170-265VAC	60	5100 0-10V Dimmable	>0.9	Sanan	300PCS SMD 4014	CE Driver	120°		>80	IP44
47	ENPL-6262-32W-01RGB	24VDC	32			FOREPI	168PCS SMD 5050		120°		>80	IP44
48	ENPL-20120-36W-01	100-240VAC	36	2664	>0.9	Sanan	180PCS SMD 4014	CE Driver	120°	3000K/ 4000K/ 5000K/ 6000K	>80	IP44
49	ENPL-20120-36W-01MW	100-240VAC	36	2664	>0.9	Sanan	180PCS SMD 4014	MEANWELL	120°		>80	IP44
50	ENPL-20120-36W-01D	90-130VAC/ 170-265VAC	36	2808 0-10V Dimmable	>0.9	Sanan	180PCS SMD 4014	CE Driver	120°		>80	IP44
51	ENPL-20120-48W-01	100-240VAC	48	3648	>0.9	Sanan	240PCS SMD 4014	CE Driver	120°		>80	IP44
52	ENPL-20120-48W-01MW	100-240VAC	48	3648	>0.9	Sanan	240PCS SMD 4014	MEANWELL	120°		>80	IP44
53	ENPL-20120-48W-01D	90-130VAC/ 170-265VAC	48	3840 0-10V Dimmable	>0.9	Sanan	240PCS SMD 4014	CE Driver	120°		>80	IP44
54	ENPL-30120-30W-01	100-240VAC	30	2280	>0.9	Sanan	150PCS SMD 4014	CE Driver	120°		>80	IP44
55	ENPL-30120-30W-01MW	100-240VAC	30	2280	>0.9	Sanan	150PCS SMD 4014	MEANWELL	120°		>80	IP44
56	ENPL-30120-30W-01D	90-130VAC/ 170-265VAC	30	2400 0-10V Dimmable	>0.9	Sanan	150PCS SMD 4014	CE Driver	120°		>80	IP44
57	ENPL-30120-36W-01	100-240VAC	36	2736	>0.9	Sanan	180PCS SMD 4014	CE Driver	120°		>80	IP44
58	ENPL-30120-36W-01MW	100-240VAC	36	2736	>0.9	Sanan	180PCS SMD 4014	MEANWELL	120°	>80	IP44	
59	ENPL-30120-36W-01D	90-130VAC/ 170-265VAC	36	2880 0-10V Dimmable	>0.9	Sanan	180PCS SMD 4014	CE Driver	120°	>80	IP44	
60	ENPL-30120-48W-01	100-240VAC	48	3744	>0.9	Sanan	240PCS SMD 4014	CE Driver	120°	>80	IP44	
61	ENPL-30120-48W-01MW	100-240VAC	48	3744	>0.9	Sanan	240PCS SMD 4014	MEANWELL	120°	>80	IP44	
62	ENPL-30120-48W-01D	90-130VAC/ 170-265VAC	48	3936 0-10V Dimmable	>0.9	Sanan	240PCS SMD 4014	CE Driver	120°	>80	IP44	
63	ENPL-30120-60W-01	100-240VAC	60	4680	>0.9	Sanan	300PCS SMD 4014	CE Driver	120°	>80	IP44	
64	ENPL-30120-60W-01MW	100-240VAC	60	4680	>0.9	Sanan	300PCS SMD 4014	MEANWELL	120°	>80	IP44	
65	ENPL-30120-60W-01D	90-130VAC/ 170-265VAC	60	4920 0-10V Dimmable	>0.9	Sanan	300PCS SMD 4014	CE Driver	120°	>80	IP44	
66	ENPL-60120-48W-01	100-240VAC	48	3552	>0.9	Sanan	240PCS SMD 4014	CE Driver	120°	>80	IP44	
67	ENPL-60120-48W-01MW	100-240VAC	48	3552	>0.9	Sanan	240PCS SMD 4014	MEANWELL	120°	>80	IP44	
68	ENPL-60120-48W-01D	90-130VAC/ 170-265VAC	48	3744 0-10V Dimmable	>0.9	Sanan	240PCS SMD 4014	CE Driver	120°	>80	IP44	
69	ENPL-60120-60W-01	100-240VAC	60	4440	>0.9	Sanan	300PCS SMD 4014	CE Driver	120°	>80	IP44	
70	ENPL-60120-60W-01MW	100-240VAC	60	4440	>0.9	Sanan	300PCS SMD 4014	MEANWELL	120°	>80	IP44	
71	ENPL-60120-60W-01D	90-130VAC/ 170-265VAC	60	4680 0-10V Dimmable	>0.9	Sanan	300PCS SMD 4014	CE Driver	120°	>80	IP44	
72	ENPL-60120-72W-01	100-240VAC	72	5328	>0.9	Sanan	360PCS SMD 4014	CE Driver	120°	>80	IP44	
73	ENPL-60120-90W-01MW	100-240VAC	90	6660	>0.9	Sanan	450PCS SMD 4014	MEANWELL	120°	>80	IP44	